

Model: LUC 1025 C

Data

Type: Ceiling unit coolers

Producer: Friga-Bohn

Series: LUC

Model: LUC 1025 C

Evaporator technical data

Air flow [m ³ /h]:	7893
Air throw [m]:	45
Heat exchange surface [m ²]:	33,65
Inner volume [dm ³]:	9
fin spacing [mm]:	6,35
Weight [kg]:	75

Fans technical data

Count:	2
Diameter [mm]:	450
RPM [min ⁻¹]:	1500
Power input [W]:	2x360
Current [A]:	2x1,0

Defrost

Heaters:	<u>standard</u>
Drain pan heaters:	1
Coil heaters:	8
Power [W]:	8460
Current [A]:	12,2
Power supply [V/f/Hz]:	400V/3/50Hz

Connections

	<u>millimeters</u>	<u>inches</u>
Inlet:		1 1/8"
Outlet:		1 3/8"
Drain:		1"

Model: LUC 1025 C

Capacity

R404A/R507

Cooling capacity [kW]

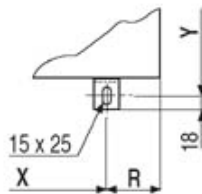
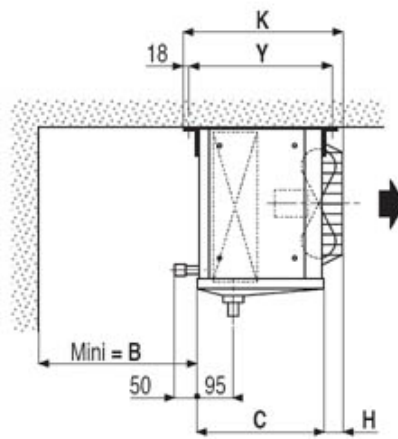
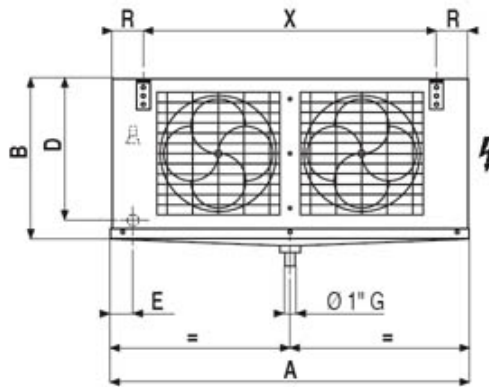
TD \ t_a	-25	-20	-15	-10
5	6.63	6.81	7.00	7.18
6	7.96	8.18	8.39	8.61
7	9.28	9.54	9.79	10.05
8	10.61	10.90	11.19	11.48
9	11.94	12.26	12.59	12.92
10	13.26	13.63	13.99	14.35
11	14.59	14.99	15.39	15.79
12	15.91	16.35	16.79	17.23
13	17.24	17.71	18.19	18.66
14	18.57	19.08	19.59	20.10
15	19.89	20.44	20.99	21.53

t_a - Room temperature [°C]

TD - Difference between evaporating and room temperature [K]

Model: LUC 1025 C

Dimensions



A	1650 mm
B	590 mm
C	482 mm
D	543 mm
E	110 mm
H	78 mm
K	606 mm
R	147 mm
X	1356 mm
Y	536 mm

Model: LUC 1025 C
Image

